

SB-CM-T-L-BL / SB-CM-DT-L-BL

Weatherproof Ceiling Mount for Large TVs



Install Guide

We recommend this product be installed by a qualified professional. Do not install if you have doubts regarding the effectiveness or safety of an installation method.

Product Details

Specifications

- Maximum Load: 79.5 kg (175 lb)
- Extension: 0.46m (1.5 ft.)
- Stainless steel hardware
- Pan/swivel range: 360°
- Tilt range: +0°/-20°
- Weather-resistant coating
- VESA: 200×200 up to 800×500

Box Contents

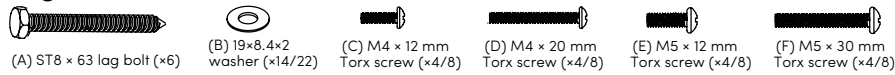
- Ceiling plate assembly (1)
- Mounting head (1)
- Adapter plate (1 or 2)
- TV Arms (2 or 4)
- 0.46m (1.5 ft.) extension pole (1)
- Hardware kit (see below)

Tools Required

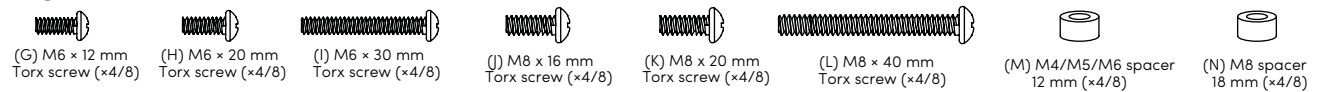
- Power drill
- 3/16" (5 mm) drill bit
- 5/16" (8 mm) masonry bit
- 1/2" (13 mm) wrench
- 3/8" socket wrench
- 7/16" socket wrench
- Optional: Security Torx bit sizes: T20, T25, T30, T40

Hardware Kit Contents

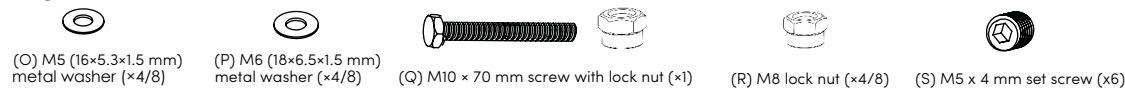
Bag 1



Bag 2



Bag 3



Unmarked Bag



Warnings

Do not begin installation until you have thoroughly read and understood these instructions. Failure to comply with these instructions could result in damage to the product, or serious injury, or death. The manufacturer does not accept responsibility for incorrect installation.

Do not install if any parts are missing or defective. Do not attempt to replace with unapproved parts or materials or install without all required parts.

Ensure the ceiling will safely support the combined weight of the mount and your chosen display. TV display should be removed from mount in situations of high wind exceeding 97 kph (60 mph). Inspect all fasteners and the mounting plate's attachment to the ceiling for signs of loosening or damage after any strong wind event, and at least once annually. Tighten any loose fasteners. If any damage is observed, remove the mount from service.

Installation

Warning: These ceiling mounts are designed for a maximum weight of 175 lbs / 79.5 kg.

Caution: Overtightening can damage the bolts and reduce their holding strength.

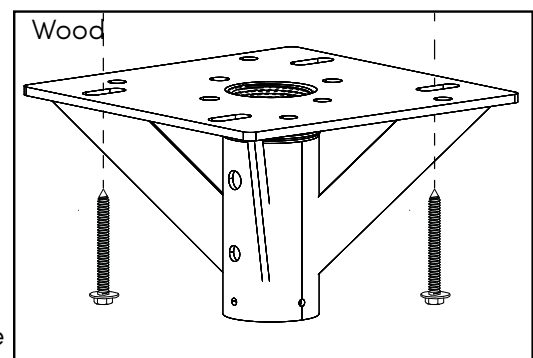
Mount the Ceiling Plate

Place the ceiling plate on the mounting surface and mark the mounting hole locations.

Wood Joist

Drill a minimum of two holes into the joist using a 3/16" drill bit. Be sure to drill into the center of the joists. Ensure the plasterboard (if any) is no more than 1/2" thick.

Insert lag screws (A) with washers (B) through the ceiling plate and tighten.



Example lag layout shown

Concrete Ceiling

Caution: The ceiling must be solid concrete or concrete block. Verify the concrete is at least 1-3/8" thick and 2000 psi density minimum. Concrete block must meet ASTM C-90 specifications. Drill in a solid part of the block, 1" minimum from each side. Do not drill into mortar joints.

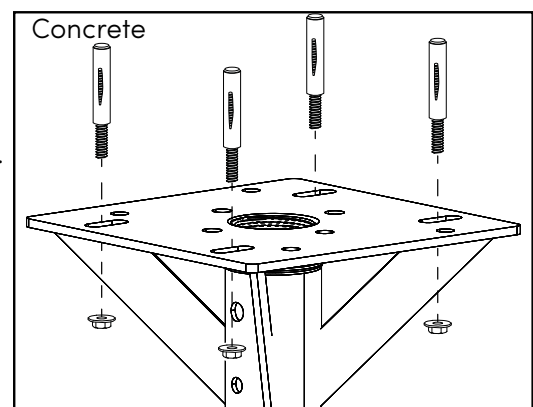
Caution: Use a standard electric drill on slow setting. Do not use a hammer drill to avoid breaking out the back of the hole when entering a void or cavity.

Concrete anchors not provided. We recommend an outdoor-rated 5/16" x 2 1/2" wedge or sleeve anchor for concrete.

Drill four holes into concrete using a 5/16" masonry bit. Insert hex sleeve anchors, per instructions included with the anchors.

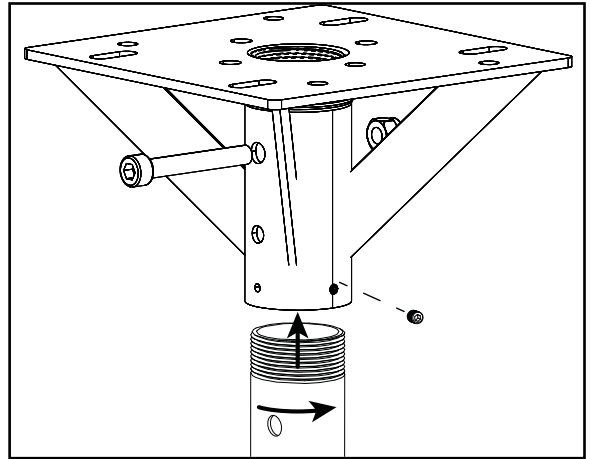
Remove washer and nut from the ends of all four anchors. Align ceiling plate over the four concrete anchors.

Re-install washers and nuts onto the anchors and tighten until secure, per instructions included with the anchors.



Attach the Extension Pole

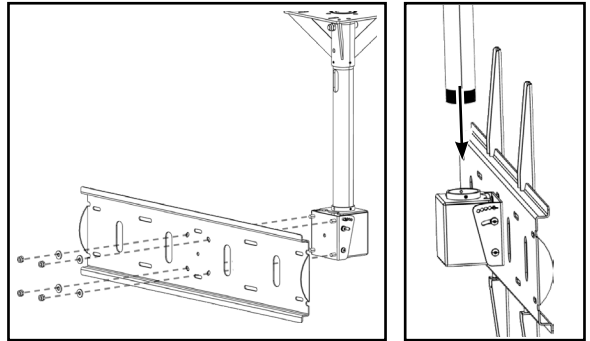
Thread the extension pole into the bracket. Screw it in, ensuring the holes in the pole align with the holes in the bracket. Slide the safety bolt (Q) through the bracket and pole, and secure it with the safety nut (Q). Insert and tighten the set screw.



Attach the Mount Head

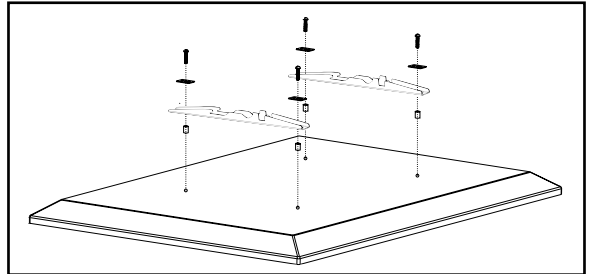
Hang the adapter plate on the four bolts on the front of the mounting head. Place M8 washers and M8 nylon nuts on the bolts and tighten.

Screw the mount head onto the end of the extension pole and tighten the set screws (far right).



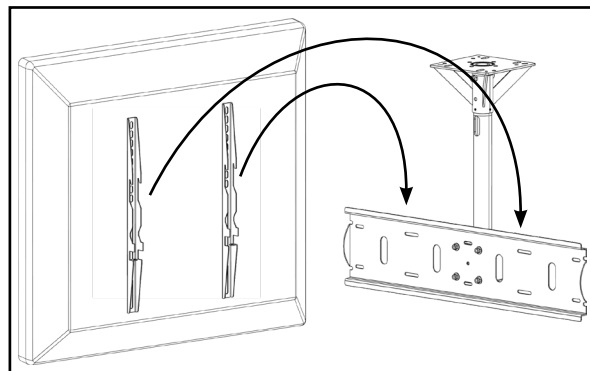
Attach the TV Arms to the Display

Attach the TV arms to the display using M4, M5, M6, or M8 screws. For displays with a hole pattern in a pocket or inputs behind adapter plate, add spacers between the TV arms and the display.



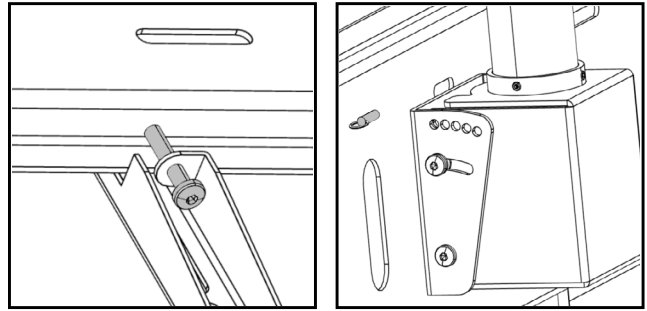
Attach the Display to the Ceiling Mount Assembly

Hang the display on the wall arm assembly by the TV arms, ensuring all three hooks slide into holes of mount head.



Using a security T30 wrench, tighten locking screws at the bottom of each TV arm, ensuring that the screws hold the arms securely to the bracket (near right).

Insert locking pin (far right).



Adjustments

Warning: Completely loosening and/or removing nuts may cause plate and/or TV to fall.

Tilt Adjustment

Loosen screws on side of mount head (only enough to allow controlled adjustment), then adjust tilt forward or backward.

Insert Locking Pin and tighten screws to ensure tilt angle is locked.

Horizontal Adjustment (Roll)

Slightly loosen all four nylon-insert nuts on the front of the adapter plate, to allow the plate to move.

Using the corners of the TV, adjust left/right until level. Re-tighten all nylon-insert nuts.

Technical Support

For technical support, please call 866-357-8688 or visit <https://www.sunbrite.tv/support/services/contact-support>, fill out the support request form, and our support team will respond via email.

Visit tech.control4.com/technician for discussions, instructional videos, news, and more.

Warranty and Legal Notices

Find details of the product's Limited Warranty and other resources such as regulatory notices and patent and safety information, at snapone.com/legal or request a paper copy from Customer Service at 866.424.4489.

Copyright ©2022, Snap One, LLC. All rights reserved. Snap One and its respective logos are [registered trademarks](#) or trademarks of Snap One, LLC, in the United States and/or other countries. Control4, SunBriteDS, and SunBriteTV are also registered trademarks or trademarks of Snap One, LLC. Other names and brands may be claimed as the property of their respective owners. Snap One makes no claim that the information contained herein covers all installation scenarios and contingencies, or product use risks. Information within this specification subject to change without notice.

220505-1122

Part # 200-SB-CM-T-L-BL-001-D