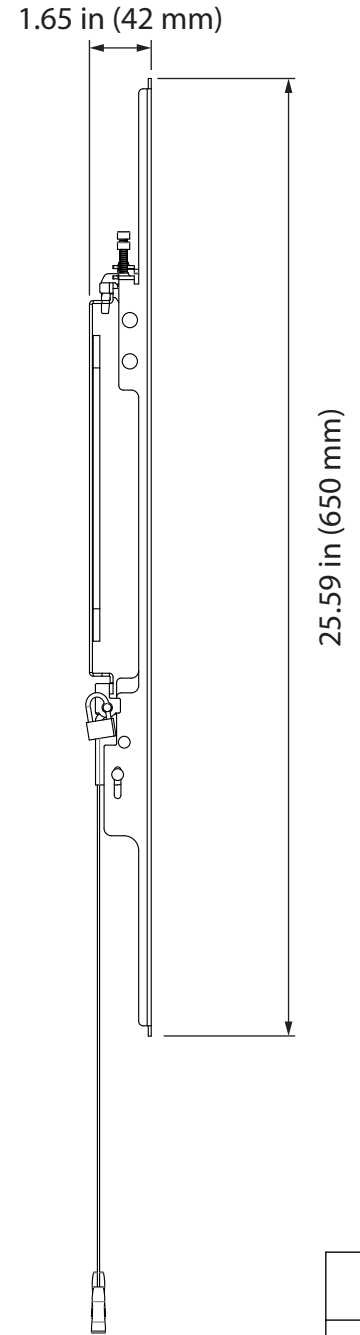
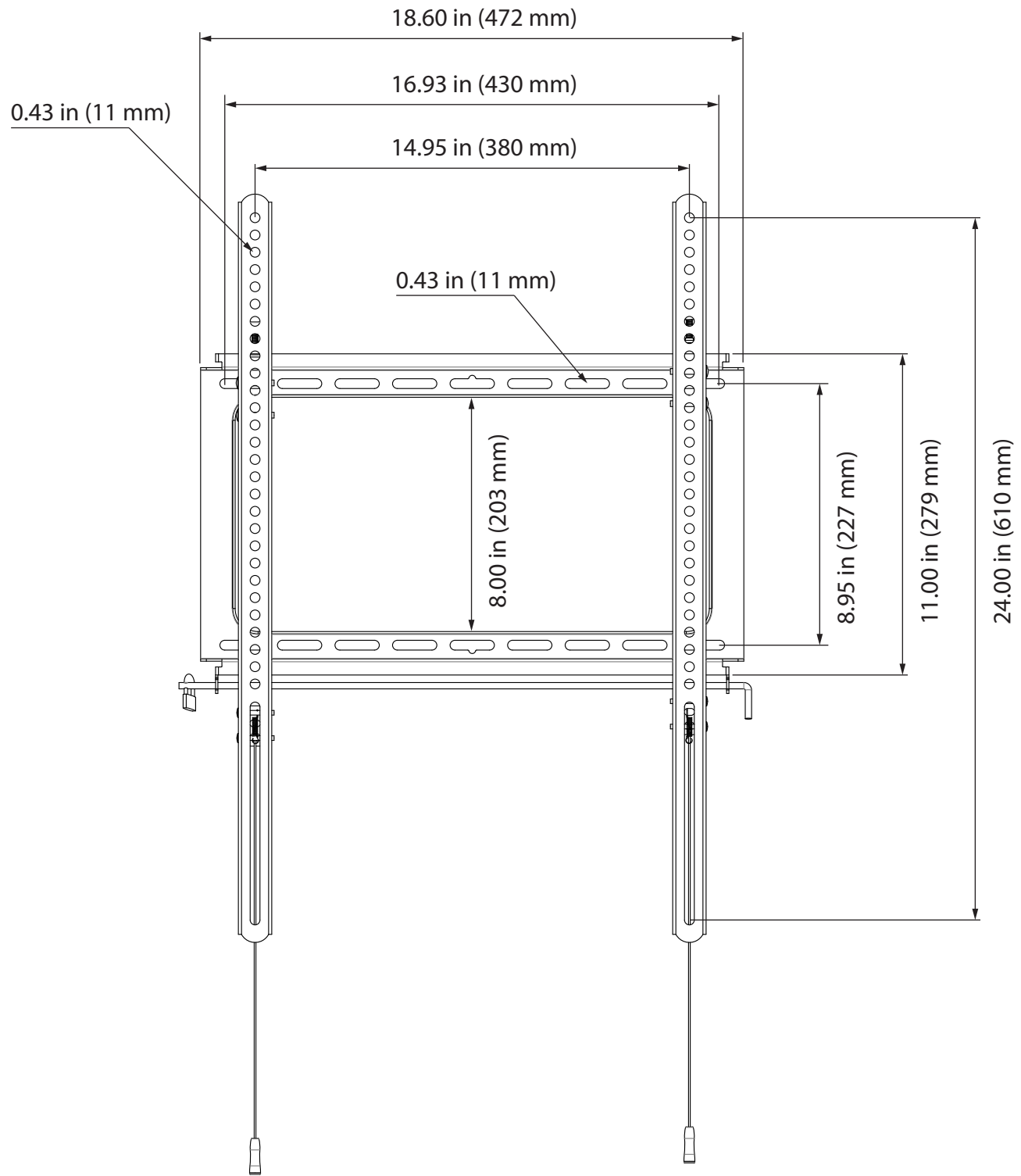
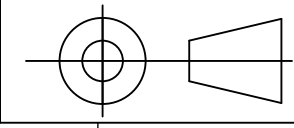


8 7 6 5 4 3 2 1



PROPRIETARY AND CONFIDENTIAL

THE INFORMATION CONTAINED IN THIS DRAWING IS THE SOLE PROPERTY OF STRONG MOUNTS AND LIFTS. ANY REPRODUCTION IN PART OR AS A WHOLE WITHOUT THE WRITTEN PERMISSION OF SNAP ONE IS PROHIBITED.



CUSTOMER PRINT



SIZE	DRAWING NUMBER	DWG REV
B	SM-CB-CBP-F	A
DO NOT SCALE DRAWING		SHEET 1 of 1

8 7 6 5 4 3 2 1