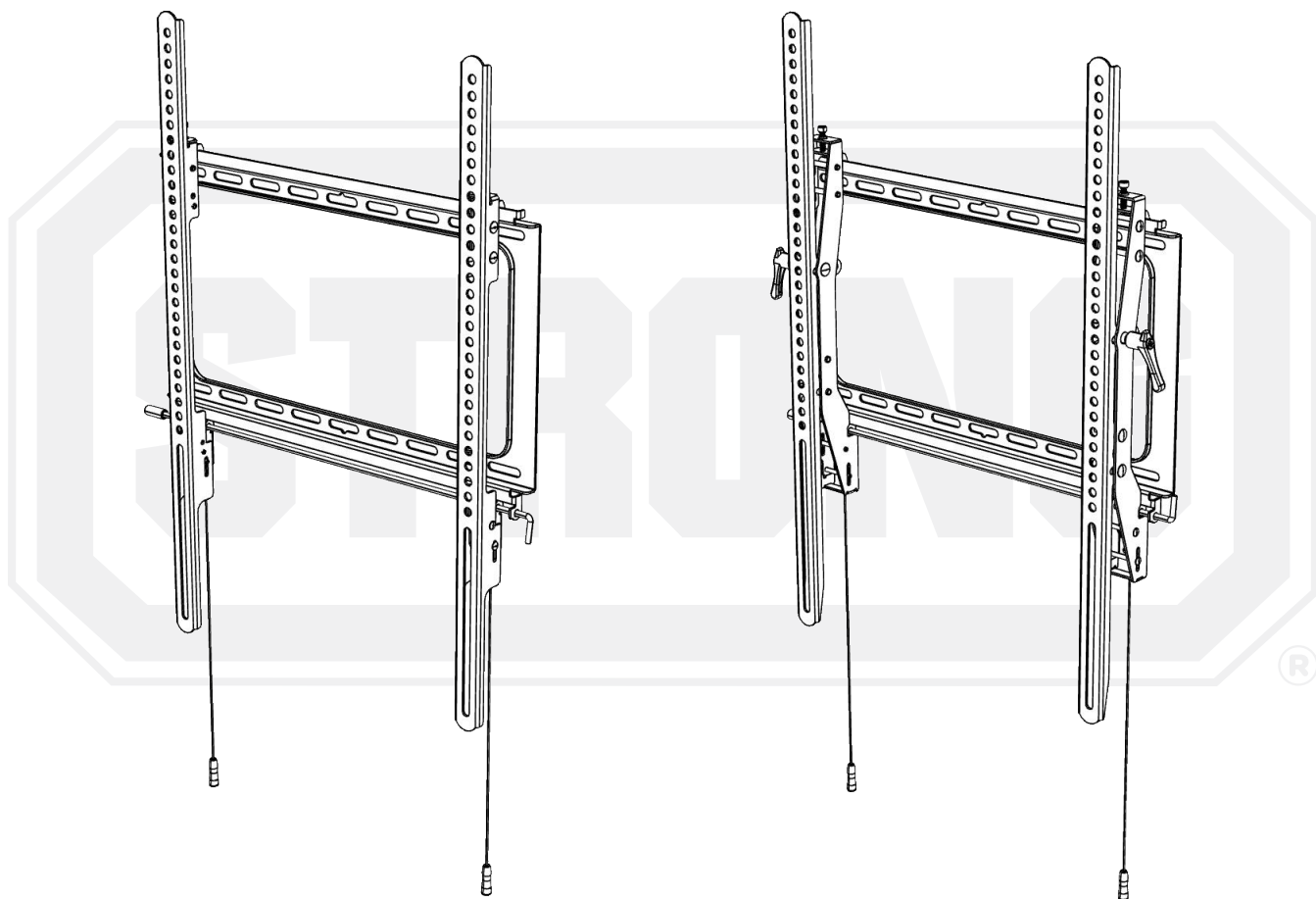




## SM-CBP Series

### Universal Fixed & Tilt Mount for Portrait Displays



## Install Guide



## WARNINGS:

- These wall mounts are intended for use only with the maximum weight capacities listed below.
- Installation by a qualified professional is highly recommended for this product.
- Do not begin installation until you have thoroughly read and understand these instructions.
- Ensure the mounting wall will safely support four times the combined weight of the mount and display panel.
- The manufacturer does not accept responsibility for incorrect installation.

## CAUTION:

- Use with heavier than the maximum weight indicated may result in instability which could possibly cause injury.

## AVERTISSEMENTS:

- Ces supports muraux sont pour être utilisés seulement avec les capacités de poids maximales ci-dessous.
- L'installation par un professionnel qualifié est fortement recommandée pour ce produit.
- Ne commencez pas l'installation avant d'avoir lu et compris ces instructions.
- Assurez-vous que le mur de montage supporte en toute sécurité quatre fois le poids total du support et du panneau d'affichage.
- Le fabricant n'accepte aucune responsabilité pour une installation incorrecte.

## MISE EN GARDE:

- Une utilisation avec un poids plus haut que le poids maximal indiqué peut provoquer une instabilité et ainsi des blessures

## Specifications

- Maximum Load: 200 lbs
- Tilt Range (SM-CBP-T): +12°/-3°
- Post Install Adjustment: 0.60"
- Fits VESA from 50×50 to 400×600

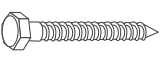

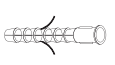
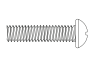

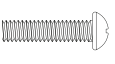
## Tools Required










- Power Drill w/ 5/16" and 5/32" bits
- Phillips Screwdriver
- Level
- Socket Wrench with 1/2" head

## Box Contents

- Wall Plate
- Arm, Left
- Arm, Right
- Hardware Kit
- Security Bar

## Hardware Kit

<b>Bag 1</b>		(A) Lag Bolt 8 × 63mm	5
		(B) Lag Washer 8.4 × 19 × 2 mm	5
		(C) Concrete Anchor 10 × 50mm	5
		(D) Screw, M6 × 20mm	4
		(E) Screw, M6 × 40mm	4
		(F) Screw, M8 × 20mm	4

<b>Bag 2</b>		(G) Screw, M8 × 40mm	4
		(H) Screw, M8 × 50mm	4
		(I) Spacer, 8.5 × 15 × 4.6	4
		(J) Spacer, 8.5 × 17.5 × 19	4
<b>Bag 3</b>		(K) Spacer, 8.5 × 17.5 × 22	4
		(L) Washer, M6 × 2mm	8
		(M) Washer, M8 × 2mm	8
		Hex Wrench	1
		(N) M5 Security Nut	1

# Installation

**Warning:** Tighten bolts so that the wall plate is firmly attached, but do not overtighten. Overtightening can damage the bolts, greatly reducing their holding strength.

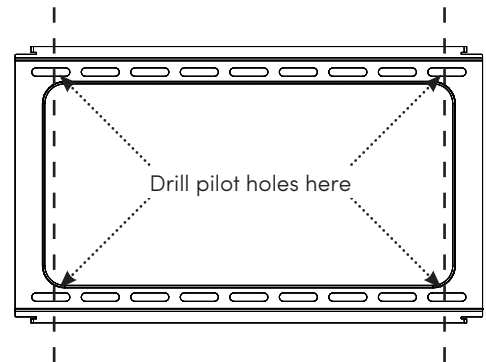
## Step 1: Mount the Wall Bracket Assembly

### On a Wood-Stud Wall

**Warning:** Studs must be a minimum of 2"×4" and covered with no more than 3/8" thick drywall.

Drill two pilot holes each into two wood studs using a 5/32" drill bit. Drill at least 2½" deep into the center of the studs.

Insert four lag bolts (A) with washers (B) through the wall plate and tighten.

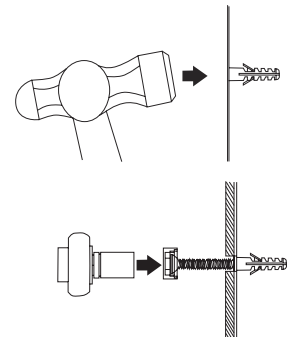


### On a Concrete Wall

**Warning:** Concrete must be 2500 psi density minimum. Ensure that the supporting surface will safely support the combined load of the equipment and all attached hardware and components

Drill 5/16" pilot holes into concrete to a depth of 2½". Insert concrete wall anchors (C). Tap in with hammer if necessary.

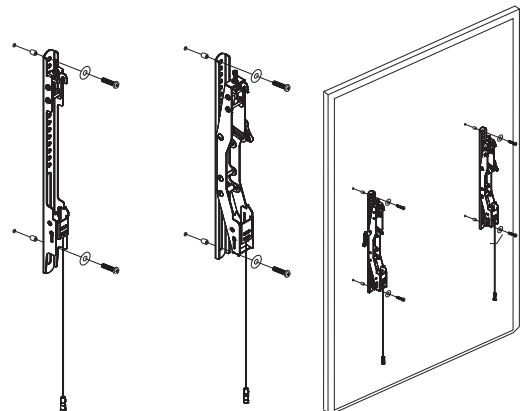
Insert four Lag Bolts (A) with Washers (B) through the Wall Plate into the holes and tighten.



## Step 2: Attach Arms to the TV

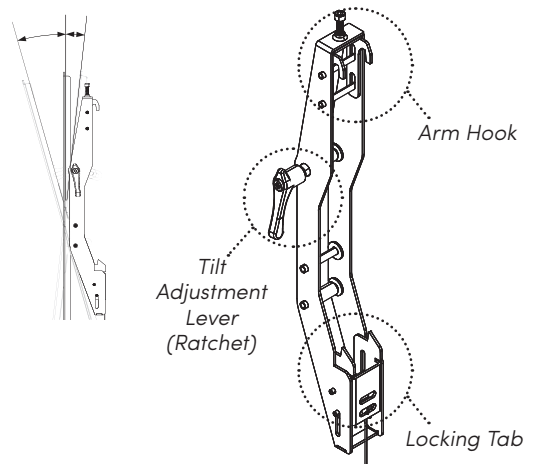
Determine the diameter of the screw (parts D through H) your TV requires by carefully hand-threading one into the threaded insert on the rear of the TV. If there is any resistance, stop immediately.

Place the arms with the flat side to the TV and square to each other. Add spacers (parts I through K) as necessary if the TV has a curved back or recessed screw inserts. Thread each screw through a washer (L or M), the arm, any spacers needed, and into the TV, and tighten.



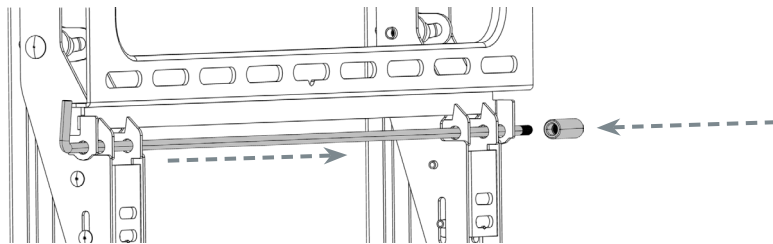
### Step 3: Hang the TV on the Wall Plate

Carefully lift the TV to hook the arms over the top lip of the wall plate. This leaves the locking tab at the bottom of the arms to rest on the top edge of the locking mechanism. Release the locking mechanism by pulling the pull strings down, and allow the TV to slide into place. Release the pull strings to lock the TV. Keep hold of the TV until it is completely connected to the wall plate.



### Insert Security Bar

Slide the security bar through the holes at the bottom of the arms and the flanges in the wall plate. Use the hex wrench to secure the security nut to the security bar.



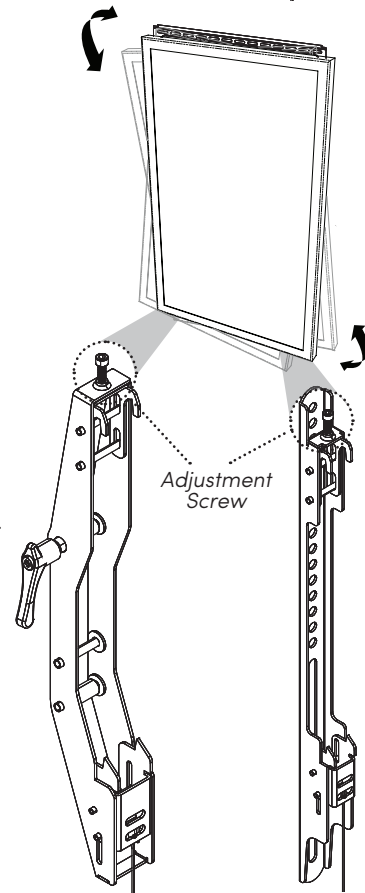
### Step 4: Adjustments

#### Tilt Adjustment:

The tilt adjustment lever is a ratcheting device designed to assist you as you tighten the arms to your desired tilt position (it is very similar to a ratcheting socket wrench). To disengage the ratchet, push the button and pull the lever away from the arm; let the lever drop back in place to re-engage the screw.

Turn the tilt adjustment lever clockwise to tighten the screw, moving the TV to be more upright. Turn it counter-clockwise to loosen the screw, tilting the TV down.

**Level Adjustment:** To level the display horizontally, use the hex wrench to raise or lower the adjustment screws that are found at the top of each arm.



### Technical Support

For chat and telephone, visit <https://tech.control4.com/s/contactsupport> • Email: [TechSupport@SnapOne.com](mailto:TechSupport@SnapOne.com)  
Visit [tech.control4.com/technician](https://tech.control4.com/technician) for discussions, instructional videos, news, and more.

### Warranty and Legal Notices

Find details of the product's Limited Warranty and other resources such as regulatory notices and patent and safety information, at [snapone.com/legal](https://snapone.com/legal) or request a paper copy from Customer Service at 866.424.4489.

Copyright ©2022, Snap One, LLC. All rights reserved. Snap One and its respective logos are registered trademarks or trademarks of Snap One, LLC, in the United States and/or other countries. Control4 and Strong are also registered trademarks or trademarks of Snap One, LLC. Other names and brands may be claimed as the property of their respective owners. Snap One makes no claim that the information contained herein covers all installation scenarios and contingencies, or product use risks. Information within this specification subject to change without notice.