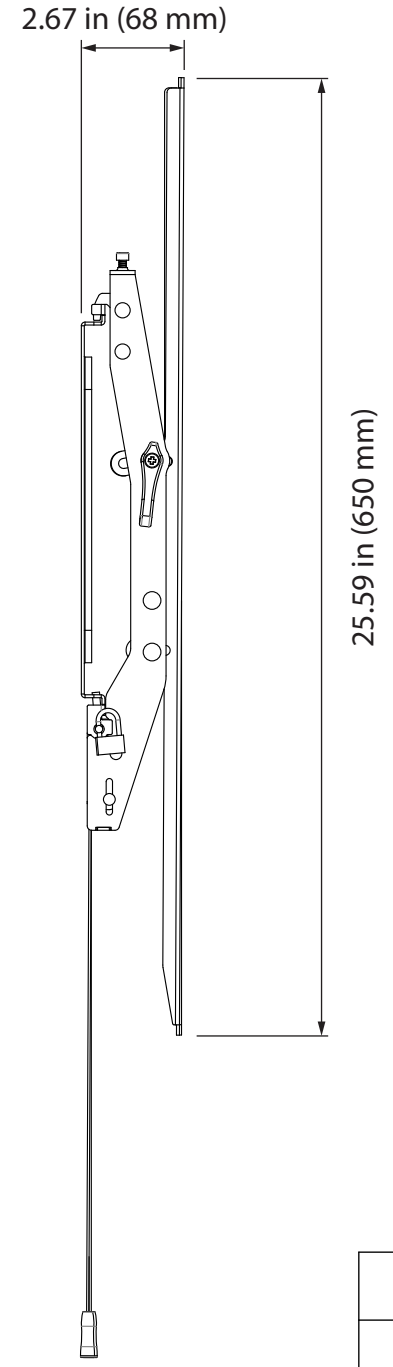
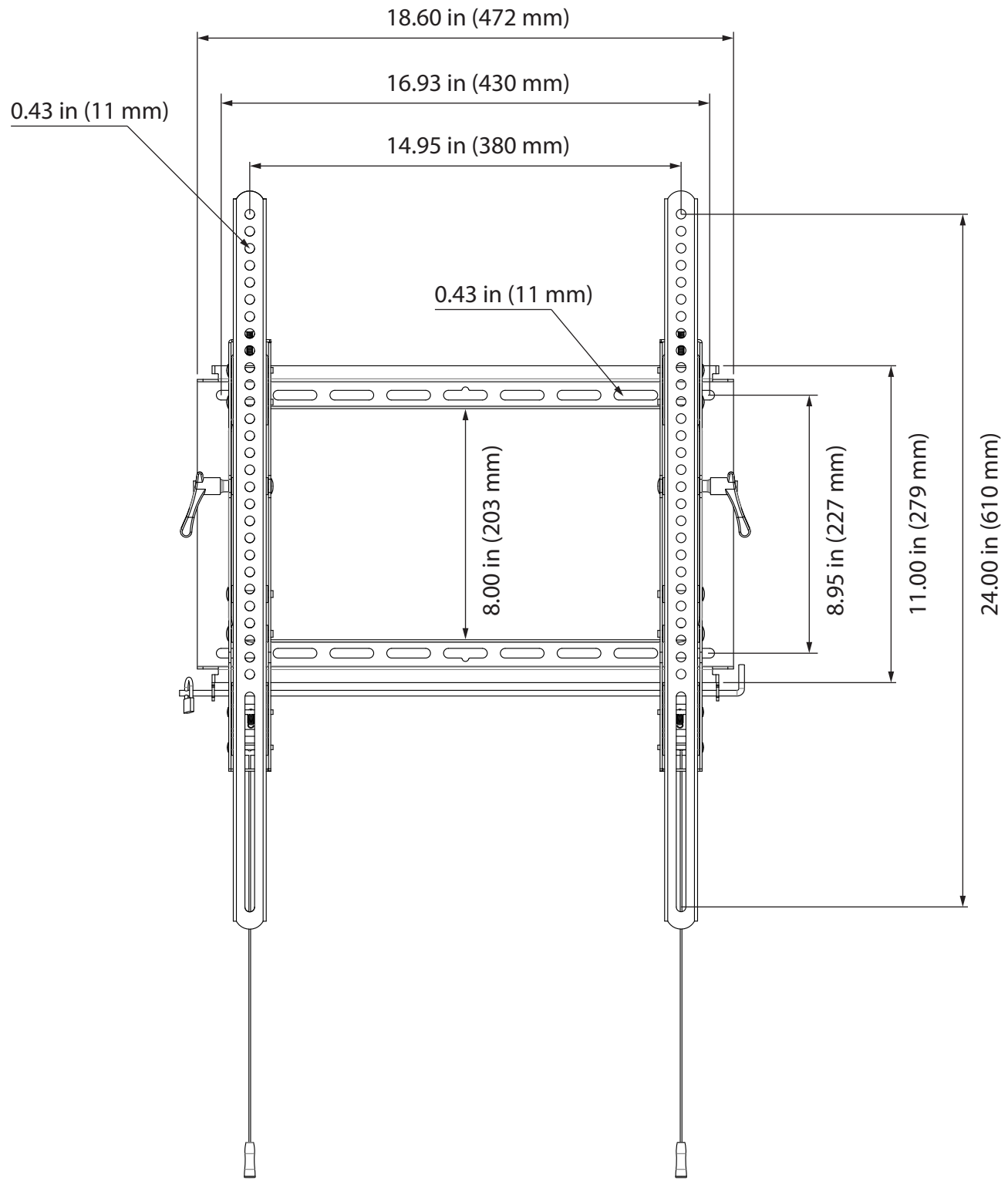
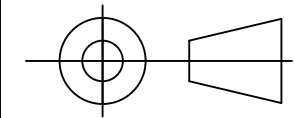


8 7 6 5 4 3 2 1



PROPRIETARY AND CONFIDENTIAL

THE INFORMATION CONTAINED IN THIS DRAWING IS THE SOLE PROPERTY OF STRONG MOUNTS AND LIFTS. ANY REPRODUCTION IN PART OR AS A WHOLE WITHOUT THE WRITTEN PERMISSION OF STRONG ONE IS PROHIBITED.



CUSTOMER PRINT



SIZE B	DRAWING NUMBER SM-CB-CBP-T	DWG REV A
DO NOT SCALE DRAWING		SHEET 1 of 1

8 7 6 5 4 3 2 1