

ZZTVA2022

FULL MOTION OUTDOOR TV MOUNT

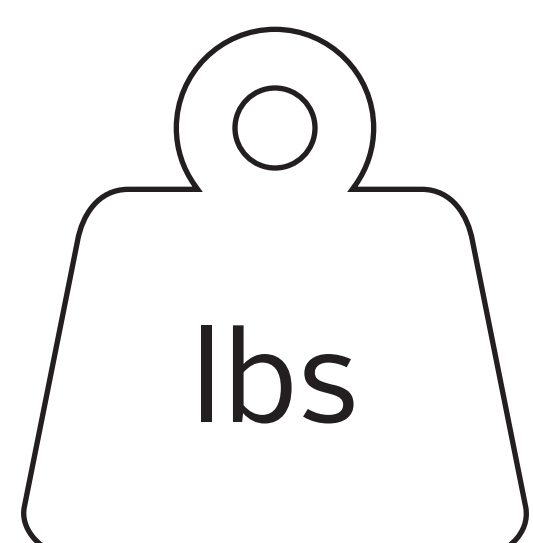
The Outdoor Gazebo TV Mount ZZTVA2022 is a versatile and durable mounting solution designed for outdoor use. With full-motion capabilities, this mount allows for flexible positioning of your TV to achieve the optimal viewing angle. Crafted with stainless steel screws and joints, it ensures robust construction and resistance to outdoor elements, enhancing longevity.

The outdoor-rated paint adds an extra layer of protection against environmental conditions, making it ideal for outdoor installations. Specifically tailored for metal and wood gazebo installations, this mount provides a secure and stable platform for your TV. Despite its sturdy build, the mount remains lightweight, accommodating a wide range of TV sizes. Included in the package are all the necessary hardware, simplifying the installation process that offers a reliable and convenient solution for enhancing your outdoor entertainment experience.

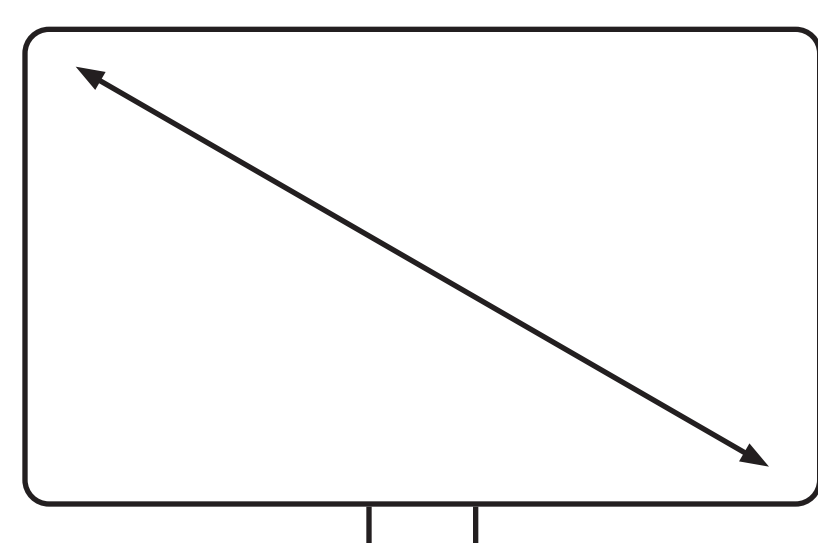


FEATURES & SPECIFICATIONS:

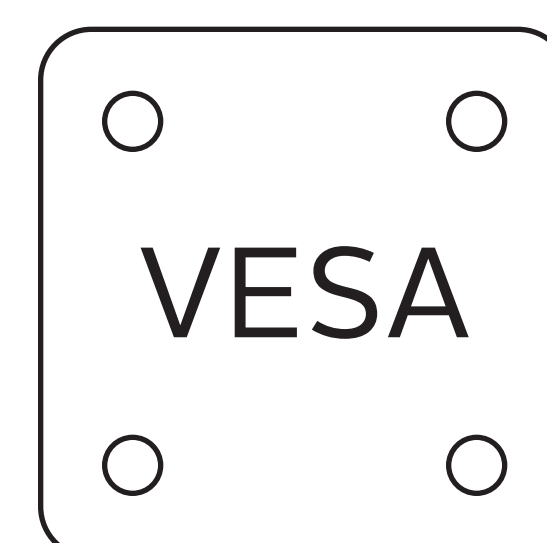
- Weatherproof Powder-Coated Finish
- Fits all pillar shapes and sizes
- No drilling required
- View 360° rotation around pillar
- Heavy duty black polymer straps
- Profile: 1.9" from Pillar
- Extension: Up to 16.1" from Pillar
- Screen Level: +3° / -3°
- Fit Screen Size: 23" - 50"
- Weight Capacity: 66lbs (30kg)
- Post Diameter: 3" - 16"
- Post Circumference: 11" - 55"
- Tilt Range: +8° ~ -12°
- Swivel Range: +90° ~ -90°
- VESA Compatible: 75x75, 100x100, 200x100, 200x200mm



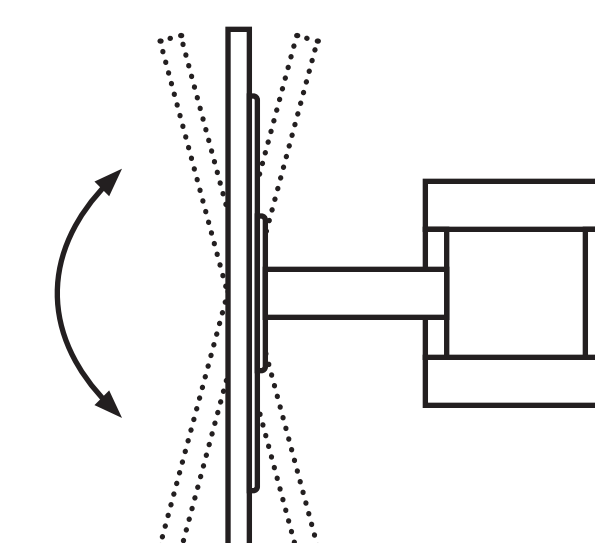
Weight Capacity:
Up to 66lbs / 30kg



TV Diagonal:
23" to 50"



VESA Supported:
75x75 to 200x200



Tilting Angles:
+8° to -12°

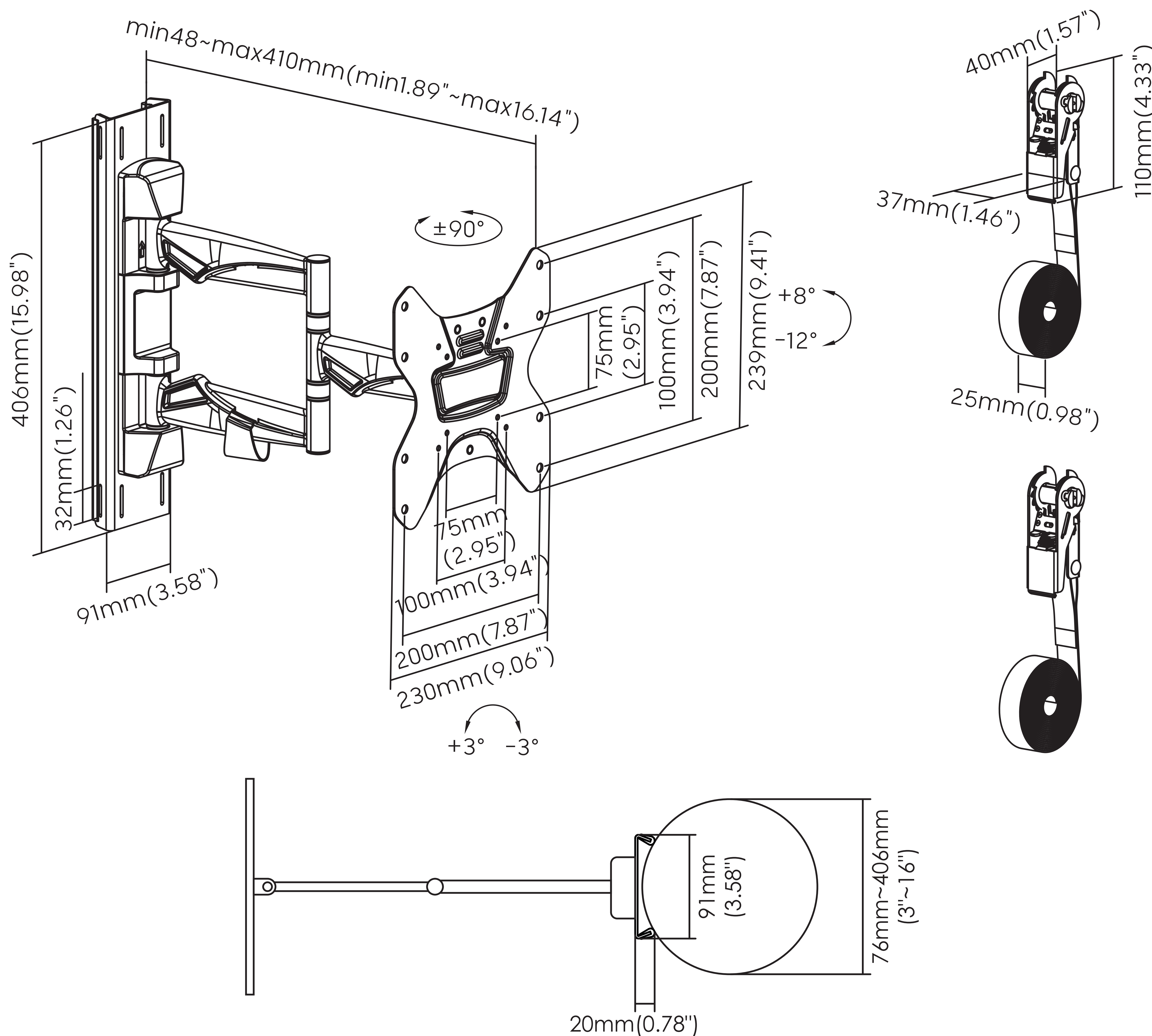
PRODUCT SPECIFICATIONS:

Dimensions (WxHxD)	Product Weight	Load Capacity	Surface Finish	Color
9.05" x 9.45" x 1.89" (230 x 240 x 48mm)	9.83lbs (4.46kg)	66lbs (30kg)	Powder Coating	Matte Black & Metallic Grey

PACKAGE SPECIFICATIONS:

Package Size (WxHxD)	Package Weight	Package Contents	Barcode
17.05" x 2.56" x 13.78" (433 x 65 x 350mm)	11.24lbs (5.10kg)	Full Motion TV Mount; Small Black Pillar Adapter Bracket; Black Ratchet Strap(x2); All Required Hardware; Manual	9145329317628

TECHNICAL ILLUSTRATIONS:



You got questions? Get in touch
info@zebozap.com



945 Wilson Avenue, M3K1E8, Toronto, ON.
(226) 741-0060 Canada

Mount Your TV Anywhere

ZEBOZAP typeface logo symbol are registered trademarks of ZeboZap Inc.