

ZZTVA2044

FULL MOTION OUTDOOR TV MOUNT

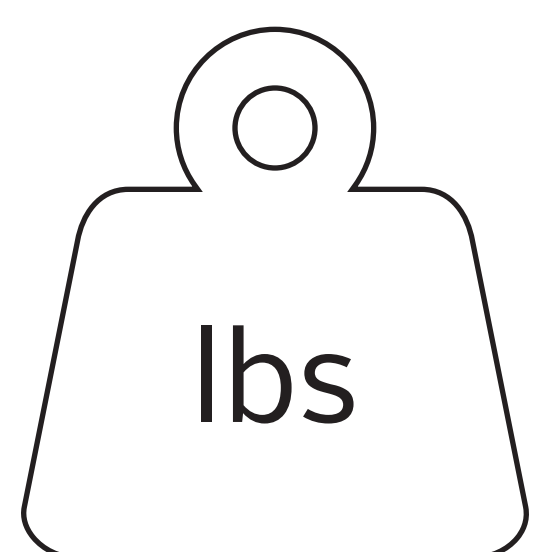
Effortlessly secure your TV to posts or pillars with the ZZTVA2044 outdoor TV mount. It offers a complete 360-degree range of motion and incorporates innovative SLOTGRIP TECHNOLOGY, ensuring a secure hold on posts or pillars of any shape, eliminating the need for drilling. The built-in polymer pads safeguard surfaces during installation.

Designed for outdoor use, this TV mount is coated with electrostatic paint and assembled with rust-resistant stainless steel screws. Its versatility allows for both landscape and portrait positioning. The heavy-duty polymer strap boasts an impressive 1500lbs break strength.

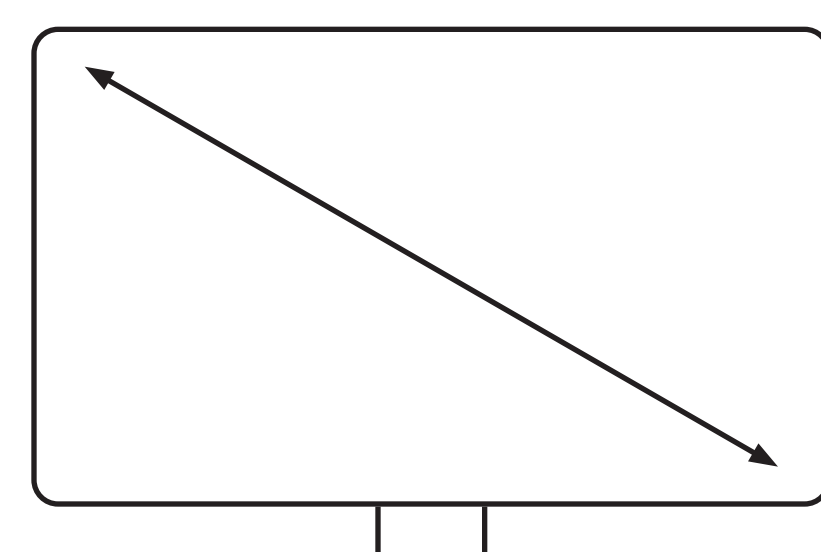


FEATURES & SPECIFICATIONS:

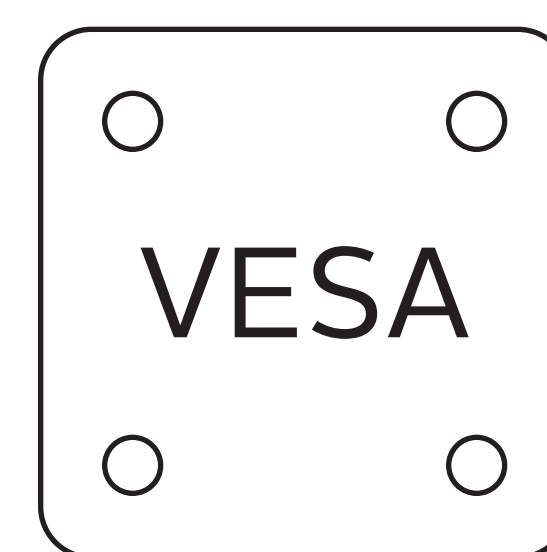
- Weatherproof Powder-Coated Finish
- Fits all pillar shapes and sizes
- No drilling required
- View 360° rotation around pillar
- Heavy duty black polymer straps
- Profile: 2.4" from Pillar
- Extension: Up to 19" from Pillar
- Screen Level: +3° / -3°
- Fit Screen Size: 32" - 70"
- Weight Capacity: 80lbs (36kg)
- Pillar Diameter: 3" - 16"
- Pillar Circumference: 11" - 55"
- Tilt Range: +10° ~ -20°
- Swivel Range: Full Motion 360°
- VESA Compatible: 200x200, 300x200, 400x200, 300x300, 400x300, 400x400mm



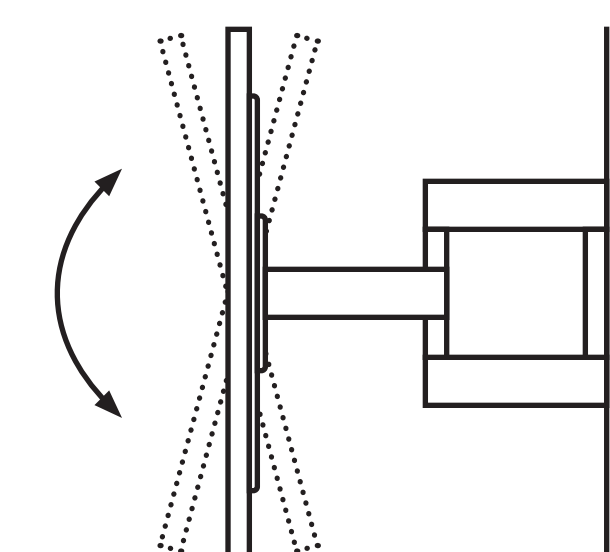
Weight Capacity:
Up to 80lbs / 36kg



TV Diagonal:
32" to 70"



VESA Supported:
200x200 to 400x400



Tilting Angles:
+10° to -20°

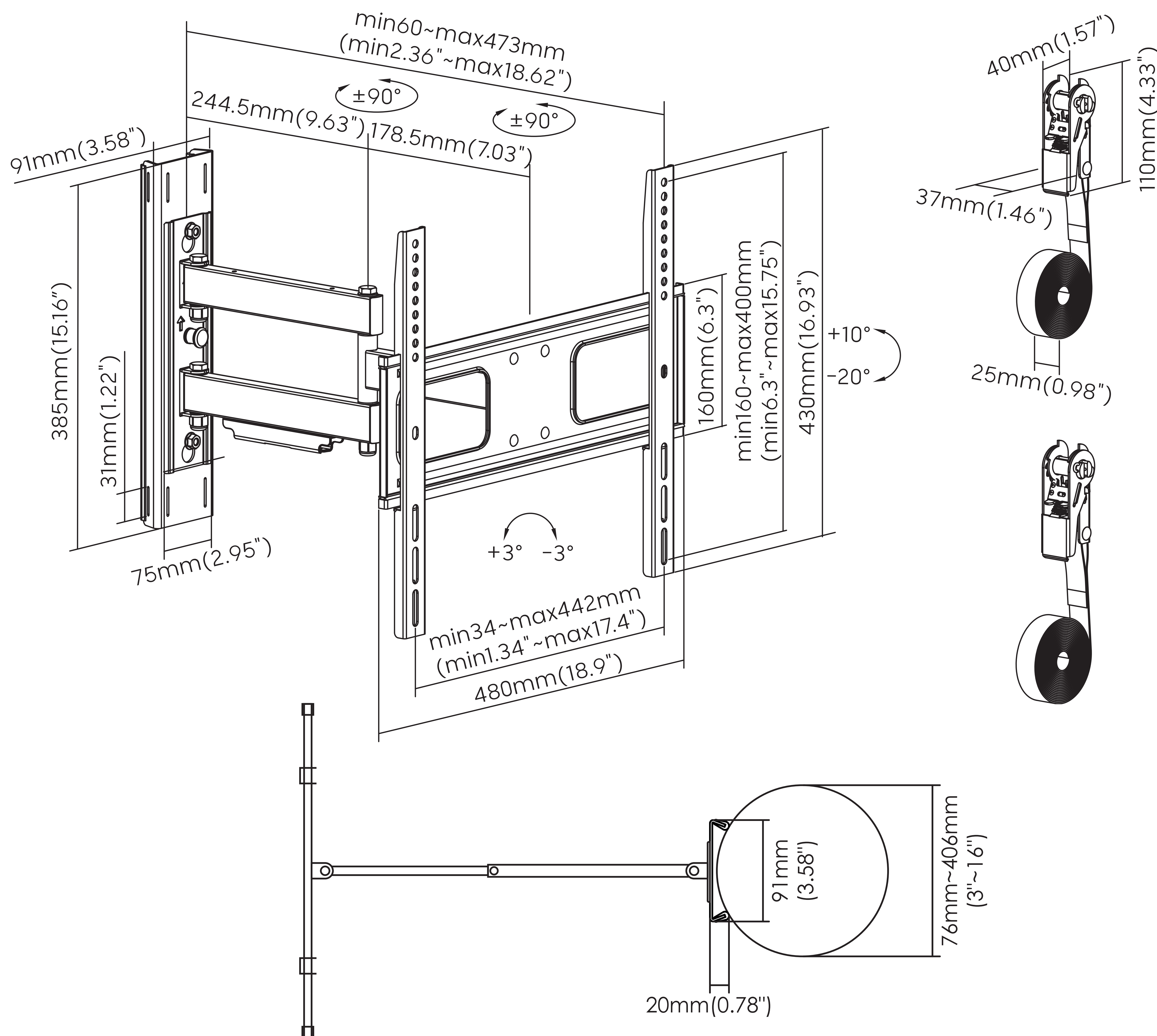
PRODUCT SPECIFICATIONS:

Dimensions (WxHxD)	Product Weight	Load Capacity	Surface Finish	Color
18.90" x 16.93" x 2.36" (480 x 430 x 60mm)	12.57lbs (5.7kg)	80lbs (36kg)	Powder Coating, Electroplating	Fine Texture Black

PACKAGE SPECIFICATIONS:

Package Size (WxHxD)	Package Weight	Package Contents	Barcode
20.47" x 12.91" x 2.83" (520 x 328 x 72mm)	13.76lbs (6.24kg)	Full Motion TV Mount; Small Black Pillar Adapter Bracket; Black Ratchet Strap(x2); All Required Hardware; Manual	9145329308428

TECHNICAL ILLUSTRATIONS:



You got questions? Get in touch
info@zebozap.com



945 Wilson Avenue, M3K1E8, Toronto, ON.
(226) 741-0060 Canada

Mount Your TV Anywhere

ZEBOZAP typeface logo symbol are registered trademarks of ZeboZap Inc.