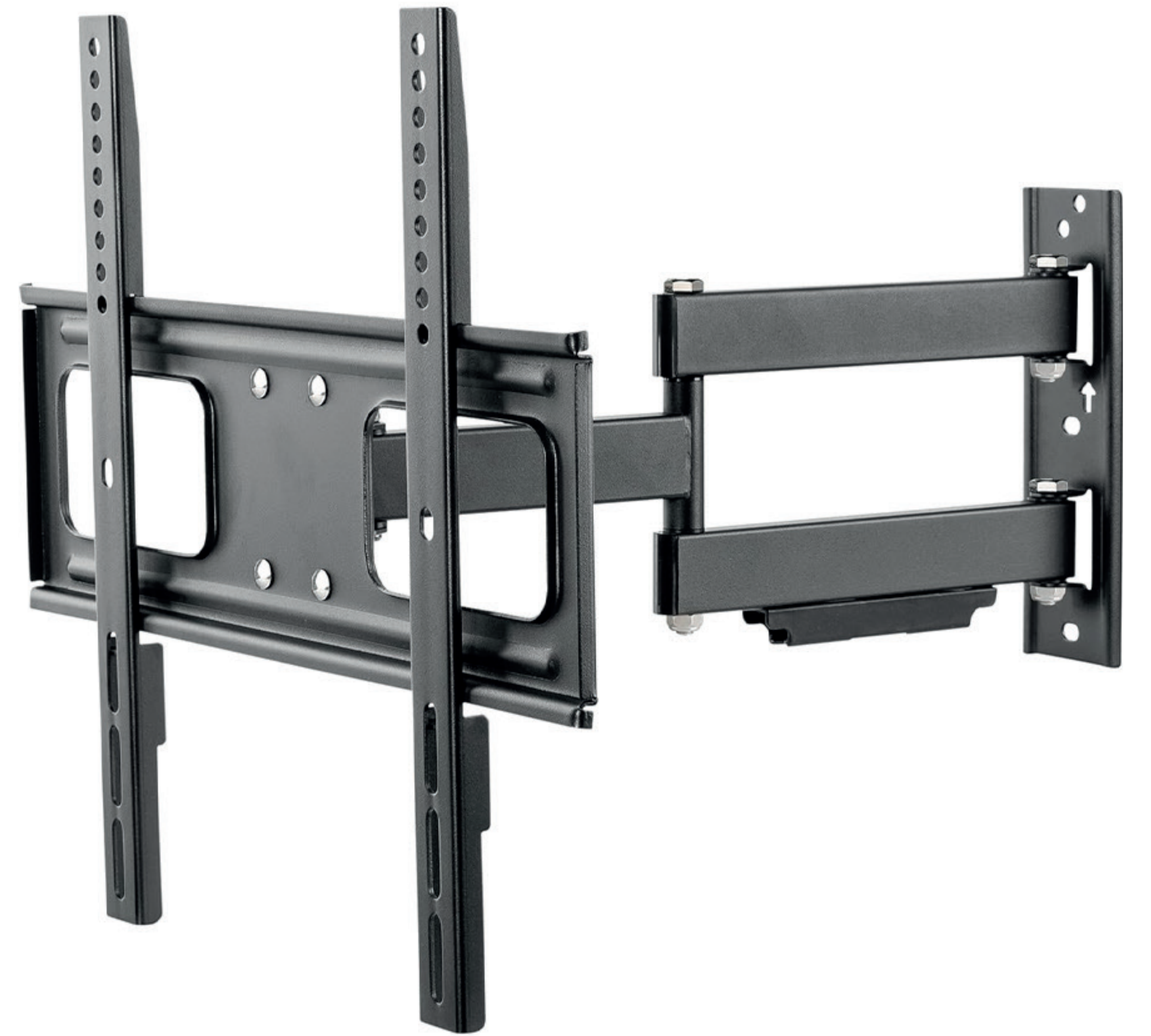


# ZZTVA8044

## OUTDOOR FULL MOTION TV MOUNT

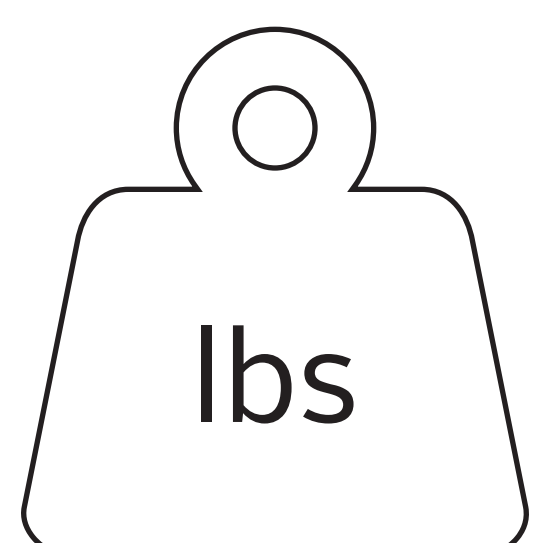
Forego the need for a drill and confidently secure your TV directly onto a column or pillar. The ZZTVA8044 is an outdoor full motion mount crafted with durability in mind, it features stainless steel screws and joints, ensuring robust construction. Its versatile design allows secure positioning in both landscape and portrait orientations, providing flexibility for different viewing preferences.

Its weatherproof black electrostatic paint finish adds an extra layer of protection, making it suitable for outdoor use while maintaining a sleek aesthetic. Equip your upscale home or contemporary workspace with the most straightforward TV mounting solution on the market.

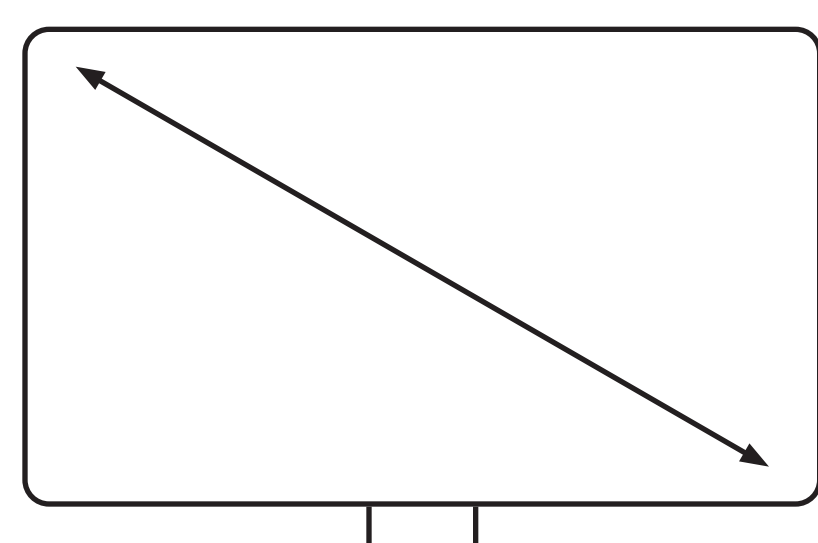


### FEATURES & SPECIFICATIONS:

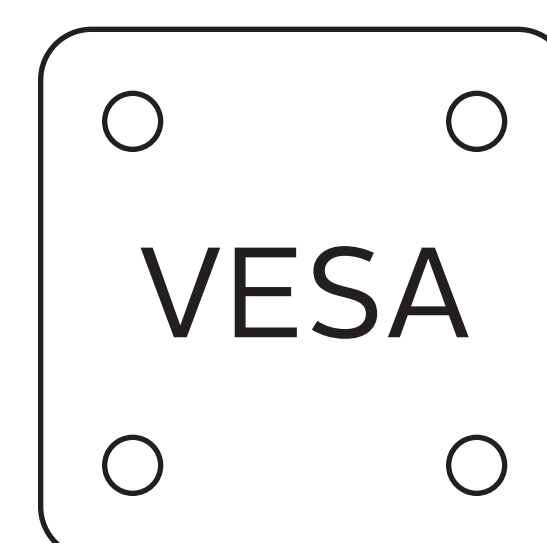
- Weatherproof Powder-Coated Finish
- Salt Spray Tested
- Stainless Steel Screws
- Cable Management
- Profile: 2.4" from Wall
- Extension: Up to 18.6" from Wall
- Screen Level: +3° / -3°
- Fit Screen Size: 32" - 70"
- Weight Capacity: 110lbs (50kg)
- Tilt Range: +10° ~ -20°
- Swivel Range: +90° ~ -90°
- VESA Compatible: 200x200, 300x200, 300x300, 400x200, 400x300, 400x400mm



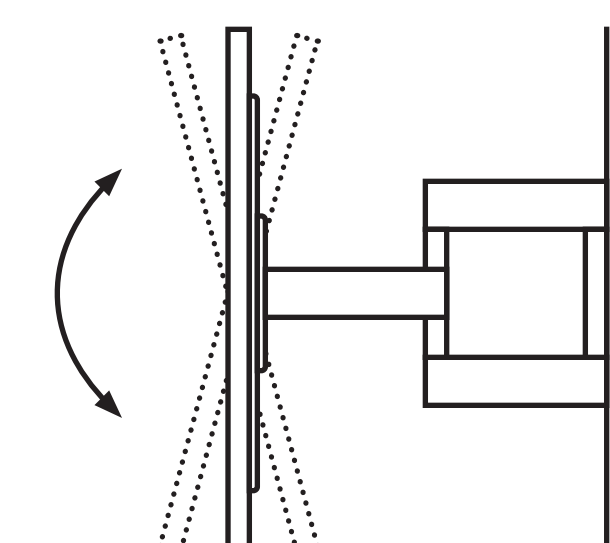
**Weight Capacity:**  
Up to 110lbs / 50kg



**TV Diagonal:**  
32" to 70"



**VESA Supported:**  
200x200 to 400x400



**Tilting Angles:**  
+10° to -20°



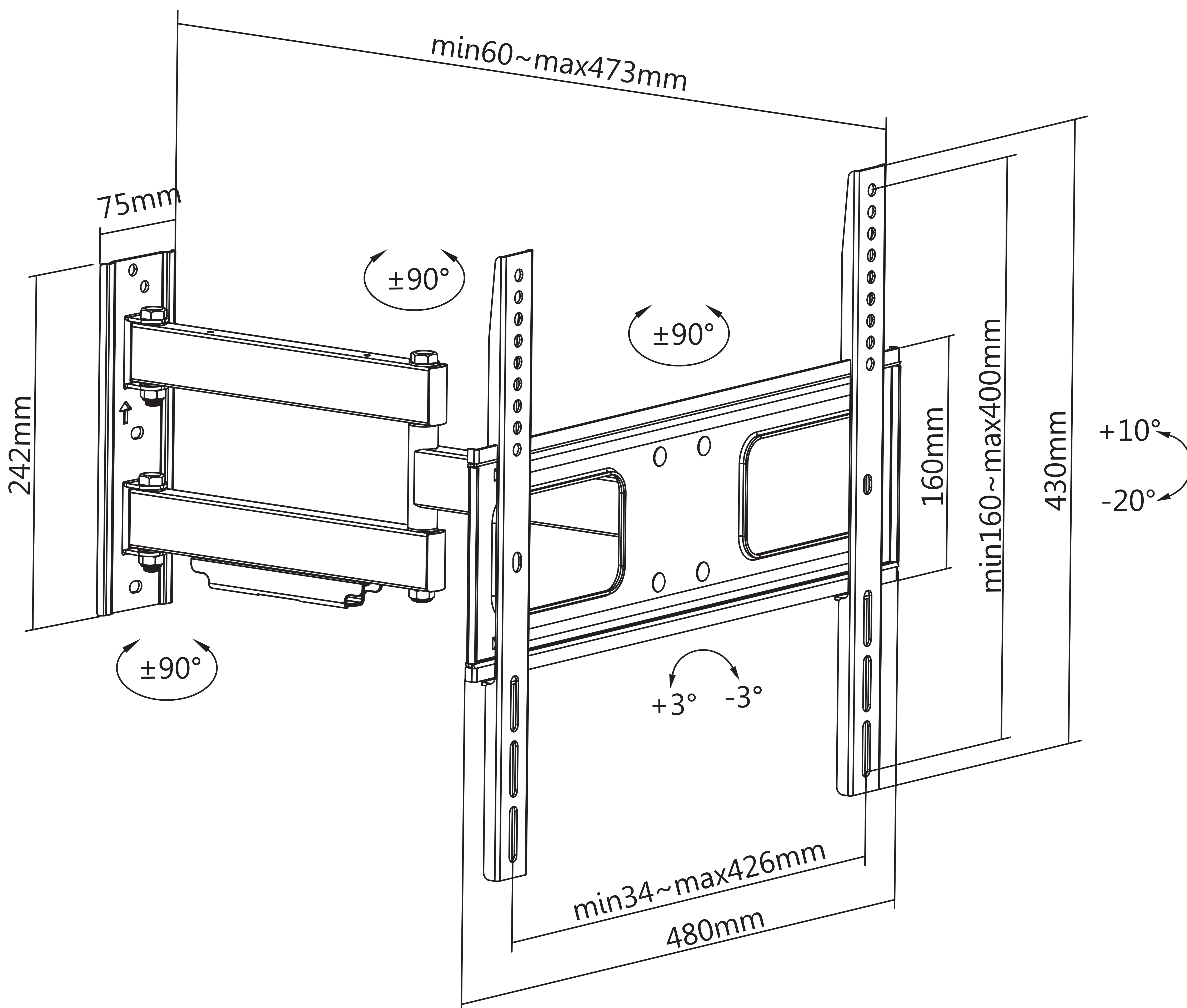
## PRODUCT SPECIFICATIONS:

Dimensions (WxHxD)	Product Weight	Load Capacity	Surface Finish	Color
18.89" x 16.93" x 2.36" (480 x 430 x 60mm)	8.22lbs (3.73kg)	110lbs (50kg)	Powder Coating, Electroplating	Fine Texture Black

## PACKAGE SPECIFICATIONS:

Package Size (WxHxD)	Package Weight	Package Contents	Barcode
20.47" x 10.63" x 2.56" (520 x 270 x 65mm)	9.33lbs (4.23kg)	Full Motion TV Mount; All Required Hardware; Manual	9145329308657

## TECHNICAL ILLUSTRATIONS:



You got questions? Get in touch  
info@zebozap.com



945 Wilson Avenue, M3K1E8, Toronto, ON.  
(226) 741-0060 Canada

Mount Your TV Anywhere

ZEBOZAP typeface logo symbol are registered trademarks of ZeboZap Inc.