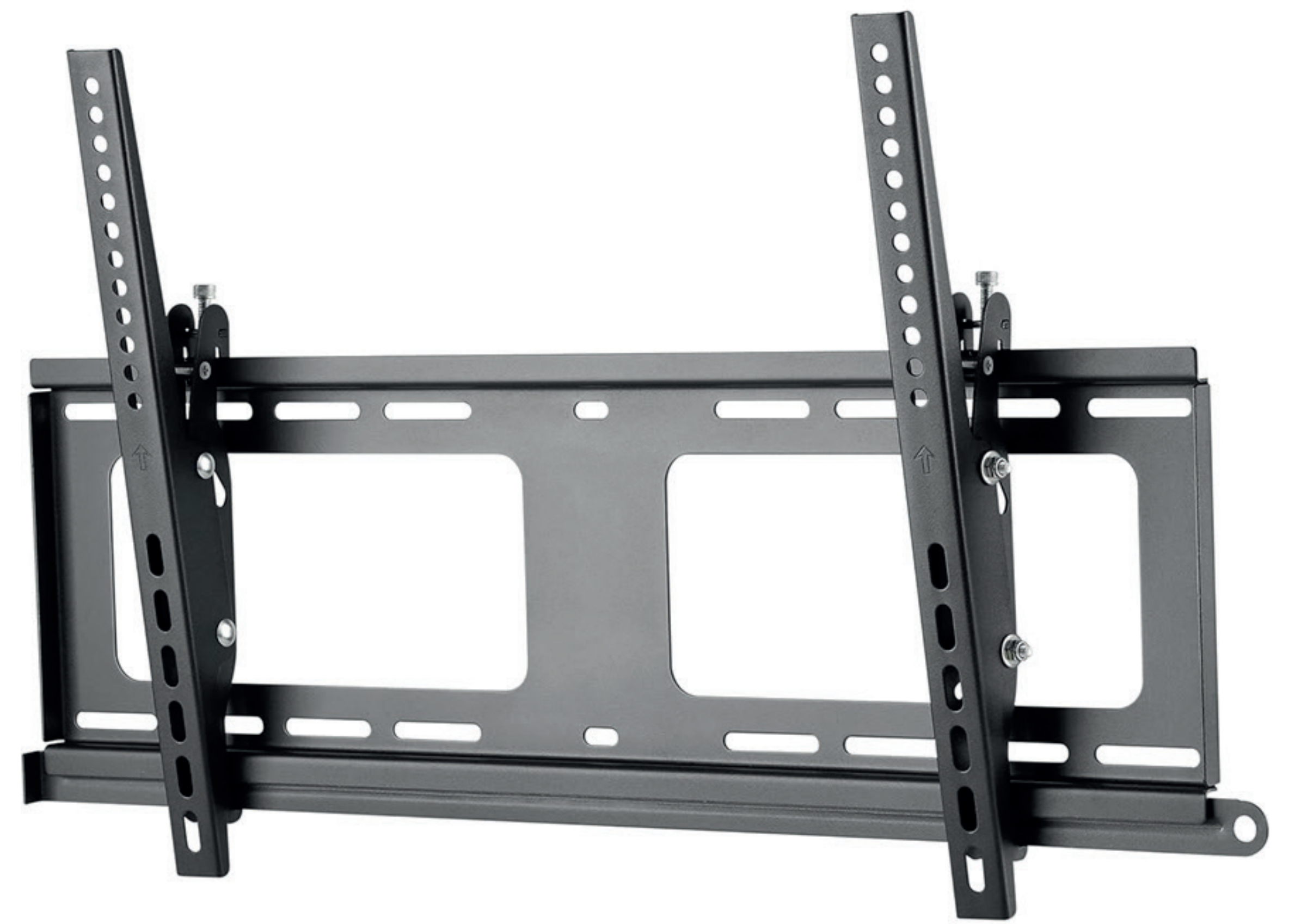


ZZTVT8064

OUTDOOR TILT TV MOUNT - NO SWIVEL

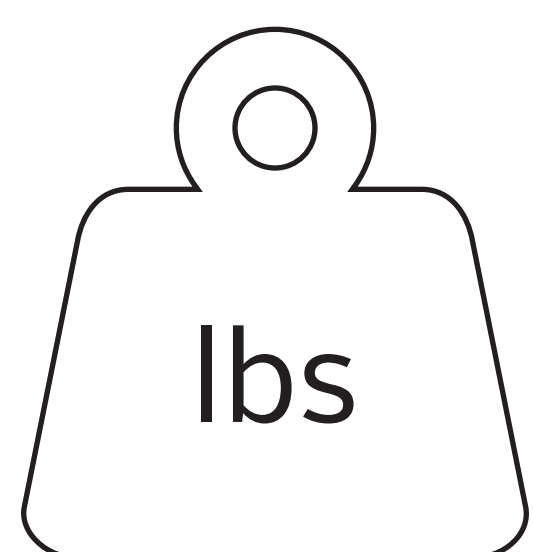
Forego the need for a drill and confidently secure your TV directly onto a column or pillar. The ZZTVT8064 is a specialized outdoor tilt-only TV mount that boasts an ultra-low profile. This mount features stainless steel screws and joints, ensuring durability and stability. The mount offers firm and sturdy positioning in both landscape and portrait orientations, providing versatile viewing options.

Its weatherproof black electrostatic paint finish adds an extra layer of protection, making it suitable for outdoor use while maintaining a sleek aesthetic. Equip your upscale home or contemporary workspace with the most straightforward TV mounting solution on the market.

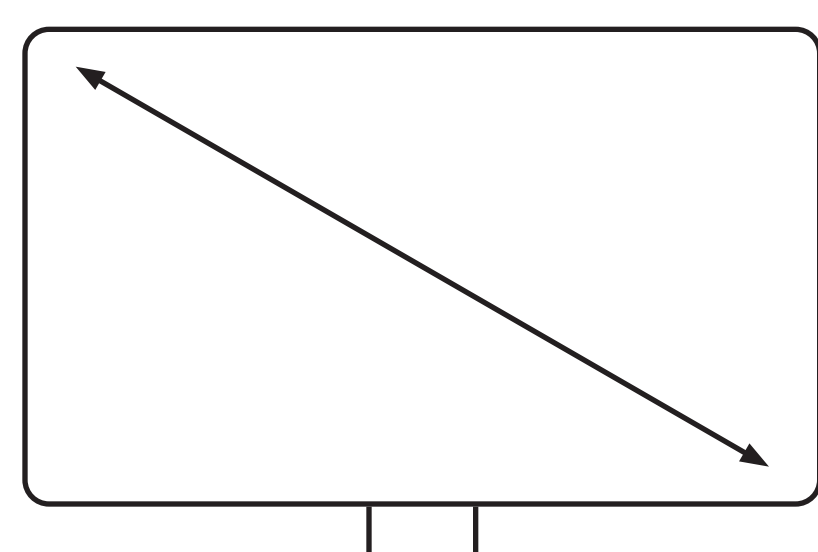


FEATURES & SPECIFICATIONS:

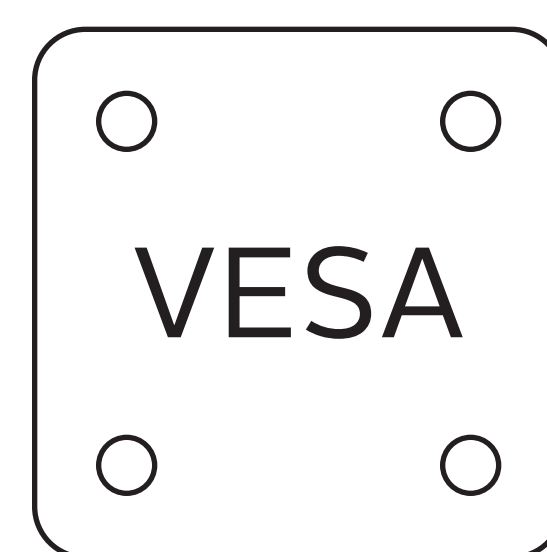
- Weatherproof Powder-Coated Finish
- Salt Spray Tested
- Stainless Steel Screws
- Free-Tilting Design
- Leveling Adjustments
- Anti-Theft Design
- Profile: 2" from Wall
- Fit Screen Size: 37" - 80"
- Weight Capacity: 176lbs (80kg)
- Screen Level: $\pm 5\text{mm}$
- Tilt Range: $+5^\circ \sim -10^\circ$
- VESA Compatible: 200x200, 300x200, 300x300, 400x200, 400x300, 400x400, 600x400mm



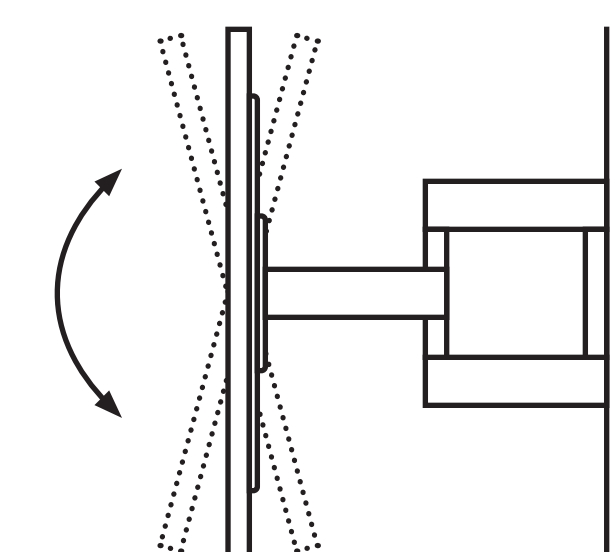
Weight Capacity:
Up to 176lbs / 80kg



TV Diagonal:
37" to 80"



VESA Supported:
200x200 to 600x400



Tilting Angles:
 $+5^\circ$ to -10°

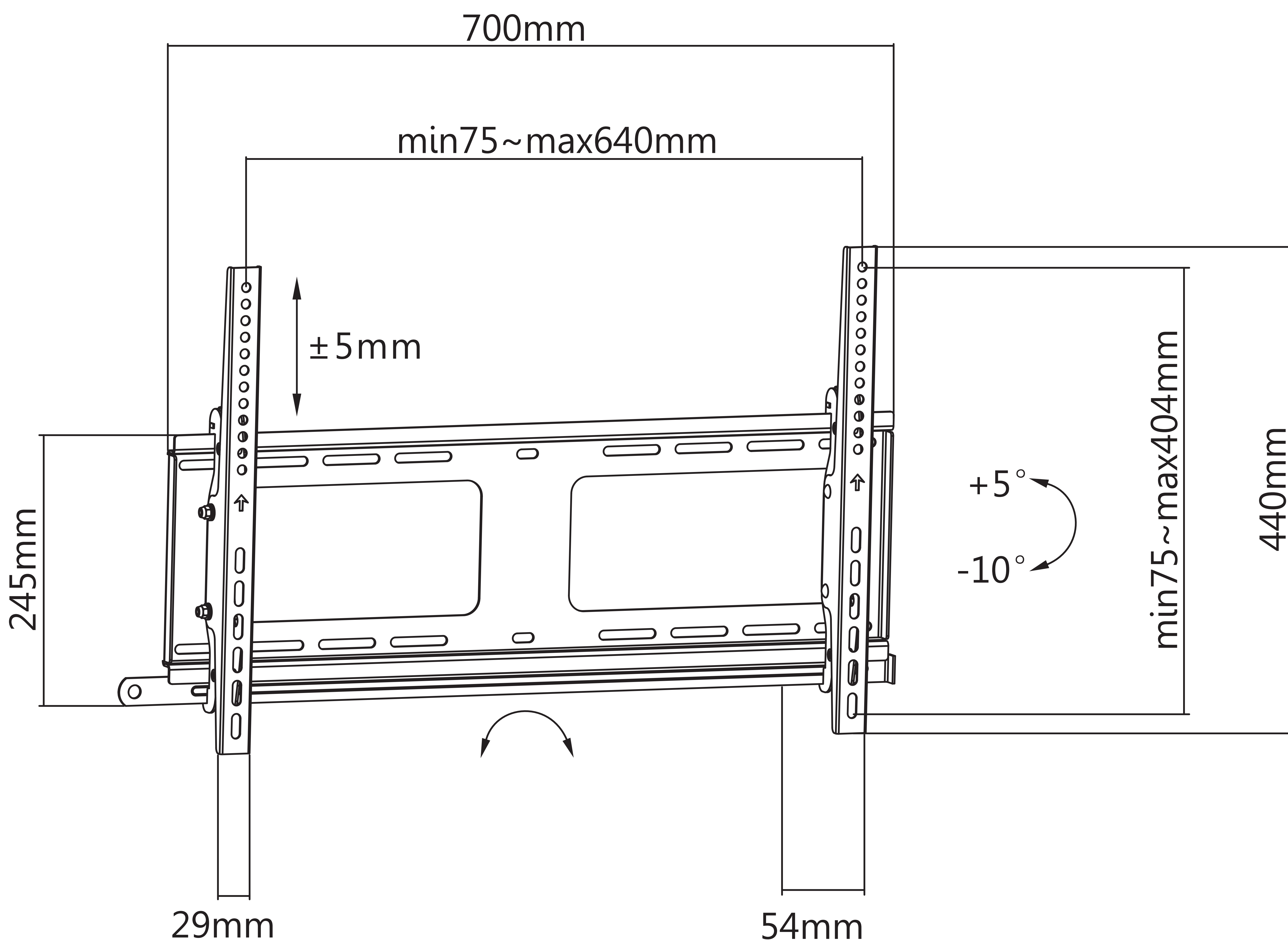
PRODUCT SPECIFICATIONS:

Dimensions (WxHxD)	Product Weight	Load Capacity	Surface Finish	Color
27.56" x 17.32" x 2.12" (700 x 440 x 54mm)	7.58lbs (3.44kg)	176lbs (80kg)	Powder Coating, Electroplating	Fine Texture Black

PACKAGE SPECIFICATIONS:

Package Size (WxHxD)	Package Weight	Package Contents	Barcode
30.83" x 9.13" x 2.95" (783 x 232 x 75mm)	8.8lbs (3.99kg)	Tilt TV Mount; All Required Hardware; Manual	9145329308640

TECHNICAL ILLUSTRATIONS:



You got questions? Get in touch
info@zebozap.com



945 Wilson Avenue, M3K1E8, Toronto, ON.
(226) 741-0060 Canada

Mount Your TV Anywhere

ZEBOZAP typeface logo symbol are registered trademarks of ZeboZap Inc.